



**Ring Terminal
T&B Catalog Number:**

14RB-38

UPC Number:

78621080075

Status:

Active

Description:

Vinyl-Insulated Ring Terminal, Length 1.16 Inches, Width .54 Inches, Maximum Insulation .170, Bolt Hole 3/8 Inch, Wire Range #18-#14 AWG, Color Blue, Copper, Tin Plated

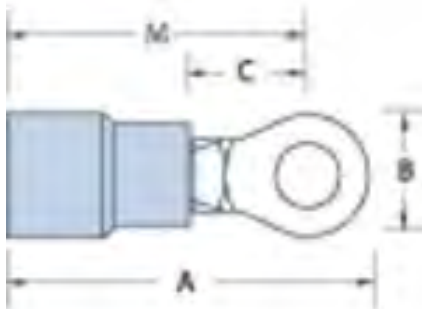
WEB_USE

US Cutsheet PDF Catalog Link

<http://www-public.tnb.com/contractor/docs/stakon.pdf>

Features

These terminals are self-insulated with a PVC insulation sleeve of extra length to give protection and relieve bending stress at wire's flex point. Brazed seam barrel is serrated to obtain high pull-out value.



General

Insulation Type	Insulated Vinyl
Terminal Series	RB
Material	Copper
Finish	Electro -Tin Plated
Color	Blue
Wire Range	18-14
Stud Size	3/8

Dimension Information

Maximum Insulation (inches)	.170
Stock Thickness	.03
A (inches)	1.16
B (inches)	.54
C (inches)	.38
M (inches)	.91

Specifications

Temperature Rating	105°C
Voltage Rating	600V
Flammability Rating	UL 94 V-0

Tooling

Tool Charts	Available on Website
Application Tools	WT145C, WT2000, WT112M, ERG4001, ERG4003
Recommended Tool	ERG4001

Packaging

T&B Order Multiple	100
T&B Inner Pack	100
Package in Units	500
Package Type	Standard
T&B Sold in UOM	Each
T&B Weight Per UOM	3.13 lbs. per 1000
Alternate Package Qty	RB737

Application Support

Overview	Available on Website
----------	----------------------

Wire Guide Tables

Available on Website

Certifications

RoHS Compliance

Yes

Certifications



File Nbr:

E9809

For further technical assistance, please contact us...

Thomas & Betts - USA
8155 T&B Blvd.
Memphis, TN 38125
www.tnb.com

T&B Technical Support
MS 3B-50
8155 T&B Blvd.
Memphis, TN 38125

Hours: 7AM - 6PM CDT
Monday-Friday
Phone: (888) 862-3289
Fax: (901) 252-1321
Email:techsupport@tnb.com